



Edge Crush - Corner Post Pool Heater

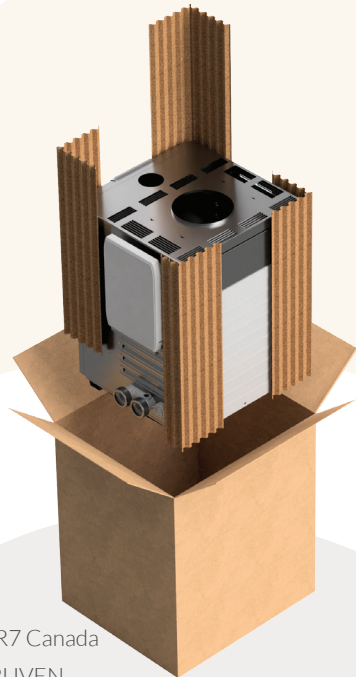
Case Study

81% Truckload Savings

2x Stacking Strength

90% Assembly Time Savings

22% Global Cost Savings



📍 11 Blvd. Centre Madawaska
St.Basile, New-Brunswick E7C 1R7 Canada

☎ +1.506.802.7022 / 1-844-CORRUVEN

✉ info@corruven.com

🌐 www.corruven.com



Solutions That Save

Our solutions are designed to be **up to 7x more Space Efficient** than foam or honeycomb.



Materials That Maximize

Maximize your sustainability by using renewable and responsibly sourced materials in your packaging solutions.



The mark of
responsible forestry